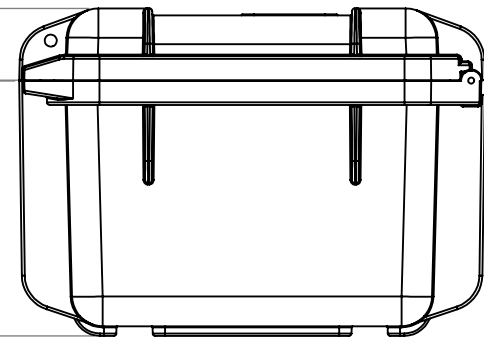


1.50"
(1.19")

5.31"
(4.94")



3i-0907-6

NOTE: DIMENSIONS IN (X.XX) ARE ID

SPECIALTY CASES

[DESIGN ■ SUPPORT ■ PROTECT]

P.O. Box 936

Sykesville, MD 21784

Phone: (800) 267-1674

<https://www.specialtycases.com>

This drawing and all information details are the sole property of Specialty Cases. Any unauthorized use will be punished to the full extent of the law.

Case Series:

3i Series

Case part#

3i-0907-6

Weight:

2.75 LBS EMPTY

Dimensions (for reference only)

	Dimensions (for reference only)			
	Length left to right	Width front to back	Overall height	Base / Lid height
Exterior	10.68"	9.69"	6.82"	5.31"-1.50"
Interior	9.38"	7.38"	6.13"	4.94"-1.19"

5

4

3

2

1